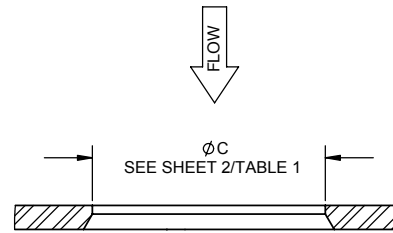
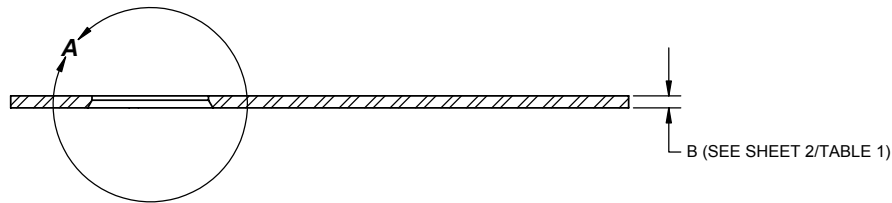
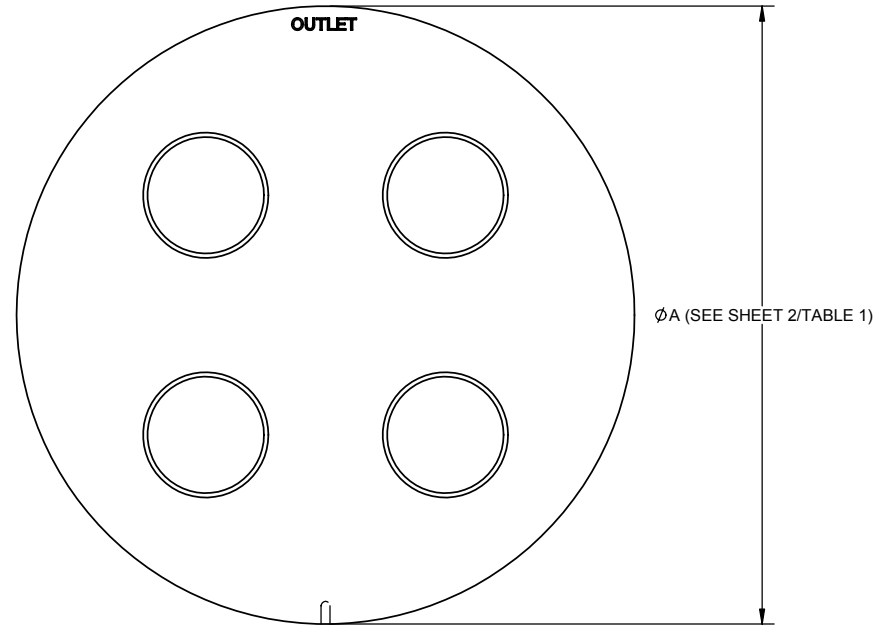
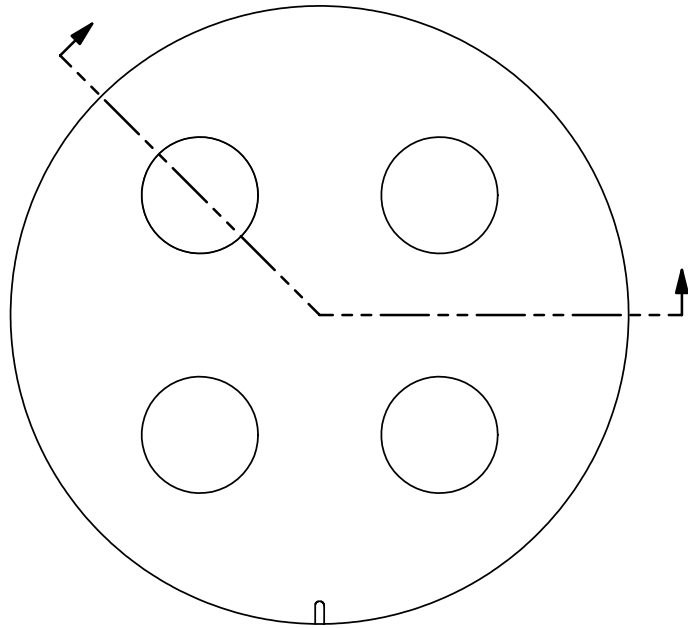


REVISIONS				
REV	DESCRIPTION	CHG.NO.	APP'D	DATE
AB	REMOVE LINE SIZES ABOVE 12".	EC006432	CTO	5/23/06



DETAIL A

*UNLESS OTHERWISE SPECIFIED DIMENSIONS IN INCHES (MM)		TYPE I		ROSEMOUNT® BOULDER, COLORADO	
*ALL DIMENSIONS ARE NOMINAL AND ARE FOR REFERENCE ONLY		DR. JDP	11/04/04	TITLE DIMENSIONAL DRAWING FOR MODEL 1595 UNIVERSAL STYLE CONDITIONING ORIFICE PLATE	
		APPROVAL		SIZE C	DRAWING NO. 01595-1002
		DRAWING CTO	11/10/04	SCALE: NONE	
		CHECKED BY		SHEET 1 OF 2	
SPECIALS					

NOTES:

1. ROSEMOUNT INC. CERTIFIES THIS DRAWING IS IN ACCORDANCE WITH ROSEMOUNT ENGINEERING SPECIFICATIONS AND ACCURATELY REPRESENTS THE EQUIPMENT FURNISHED.
2. FOR ACTUAL RECOMMENDED LOCATION AND ORIENTATION OF ORIFICE PLATES REFER TO INSTALLATION MANUAL 00809-0100-4828.
3. FOR MODEL SELECTIONS AND OPTIONS REFER TO ROSEMOUNT PRODUCT DATA SHEET 00813-0100-4828.
4. MODEL 1595 MAXIMUM TEMPERATURE IS 1200 DEGREES FAHRENHEIT FOR 304, 316 AND HASTELLOY, 900 DEGREES FAHRENHEIT FOR MONEL. (OBSERVE GASKET MATERIAL LIMITATIONS).
5. AVAILABLE MATERIALS: 304 AND 316 STAINLESS STEEL, MONEL AND HASTELLOY.

TABLE 1: PLATE DIMENSIONS						
LINE SIZE	PLATE DIA. ØA	THICKNESS B	DIAMETER (ØC)			
			BETA 0.20	BETA 0.40	BETA 0.60	BETA 0.65
2"	2.437	0.125	0.207	0.413	0.620	NA
3"	3.437	0.125	0.307	0.614	NA	0.997
4"	4.406	0.125	0.403	0.805	NA	1.309
6"	6.437	0.125	0.607	1.213	NA	1.971
8"	8.437	0.250	0.798	1.596	NA	2.594
10"	10.687	0.250	1.002	2.004	NA	3.257
12"	12.593	0.250	1.200	2.400	NA	3.900

ROSEMOUNT®		
BOULDER, COLORADO		
SIZE A	FSCM.NO.	DRAWING NO. 01595-1002
SCALE: NONE	WT.	SHEET 2 OF 2