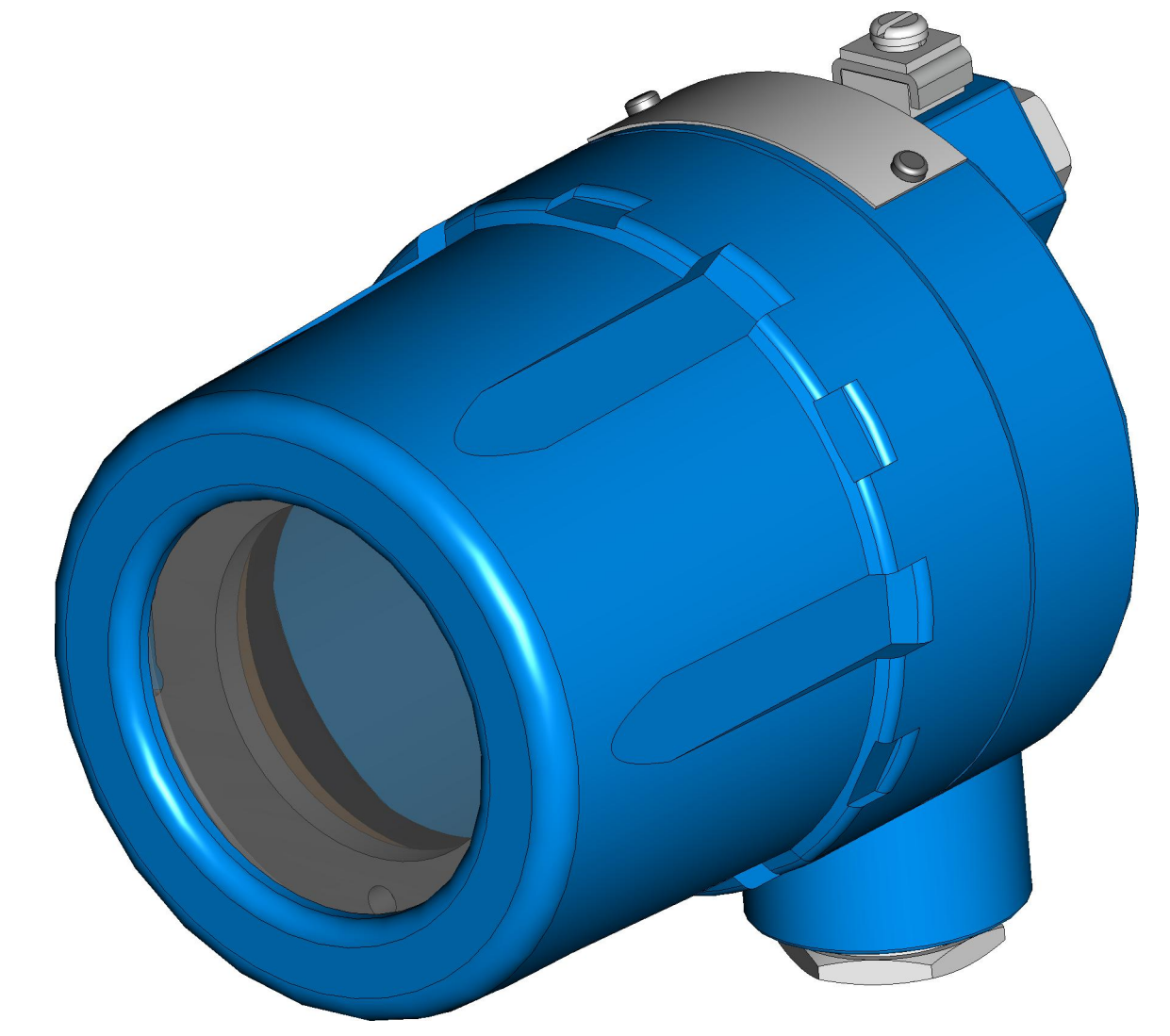
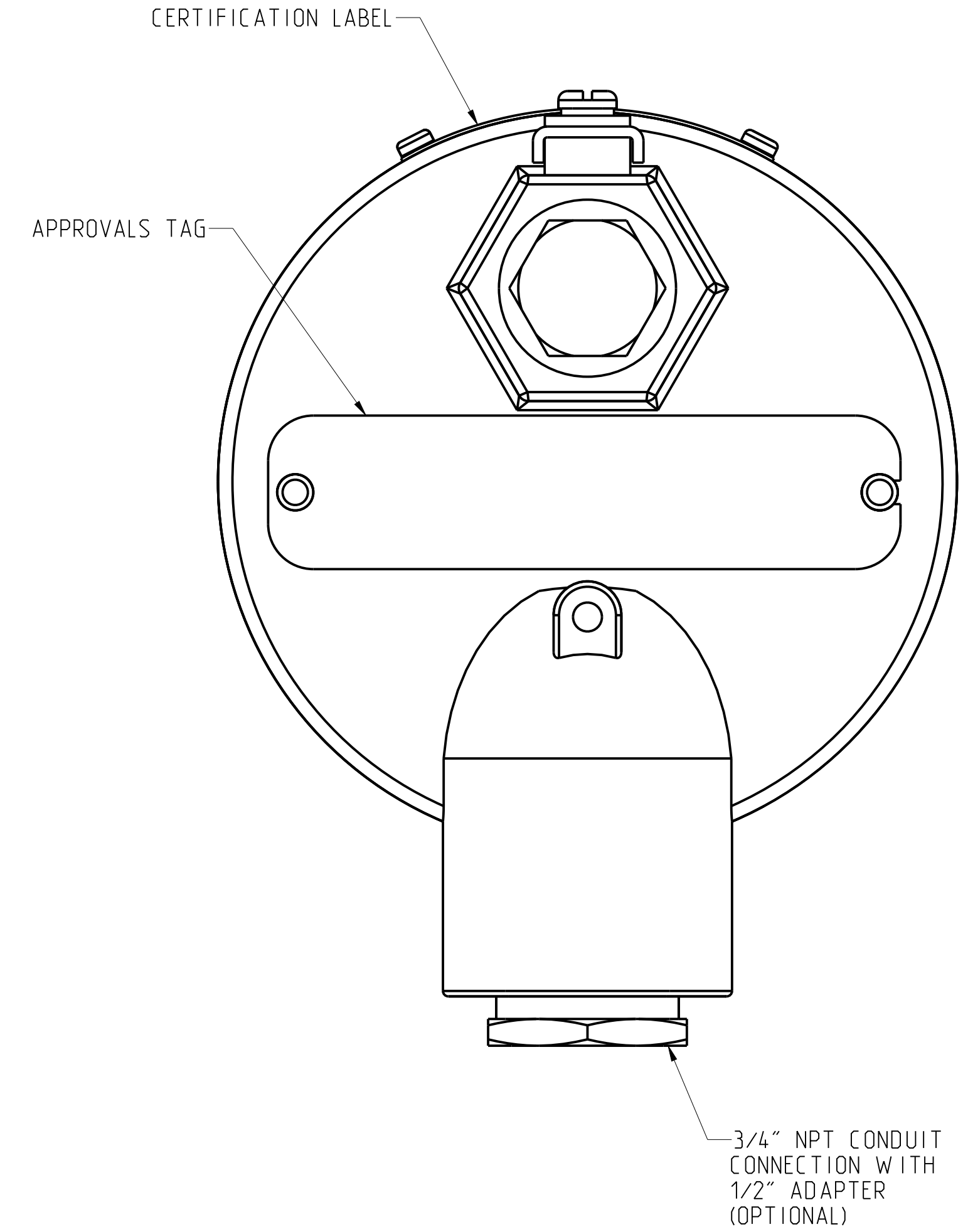
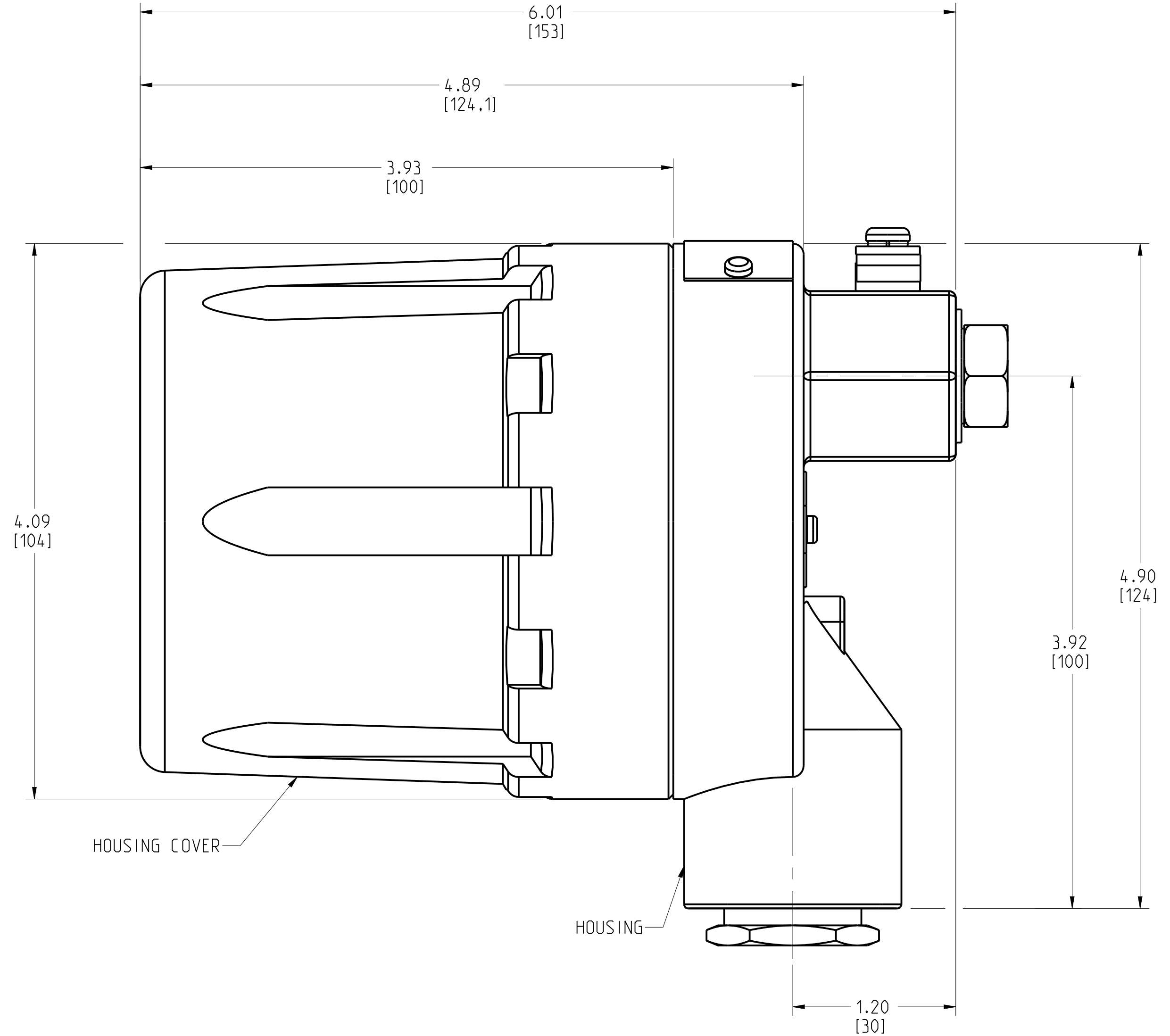


ROSEMOUNT 751 REMOTE SIGNAL INDICATOR

REVISION TABLE			
REVISION	ECO NO.	APP'D	DATE
AD	RTC1076631	Z. Massa	2/4/21
DESCRIPTION			
UPDATE BRACKET WASHER WITH MOUNTING KIT			



©2015 ROSEMOUNT, INC.
 ROSEMOUNT AND CERTIFIED
 IN ACCORDANCE WITH
 ROSEMOUNT ENGINEERING
 SPECIFICATIONS.
 UNIT NOTES IN INCHES (mm).

REFERENCE ROSEMOUNT
 PRODUCT SPECIFICATIONS.
 CLICK HERE

EMERSON

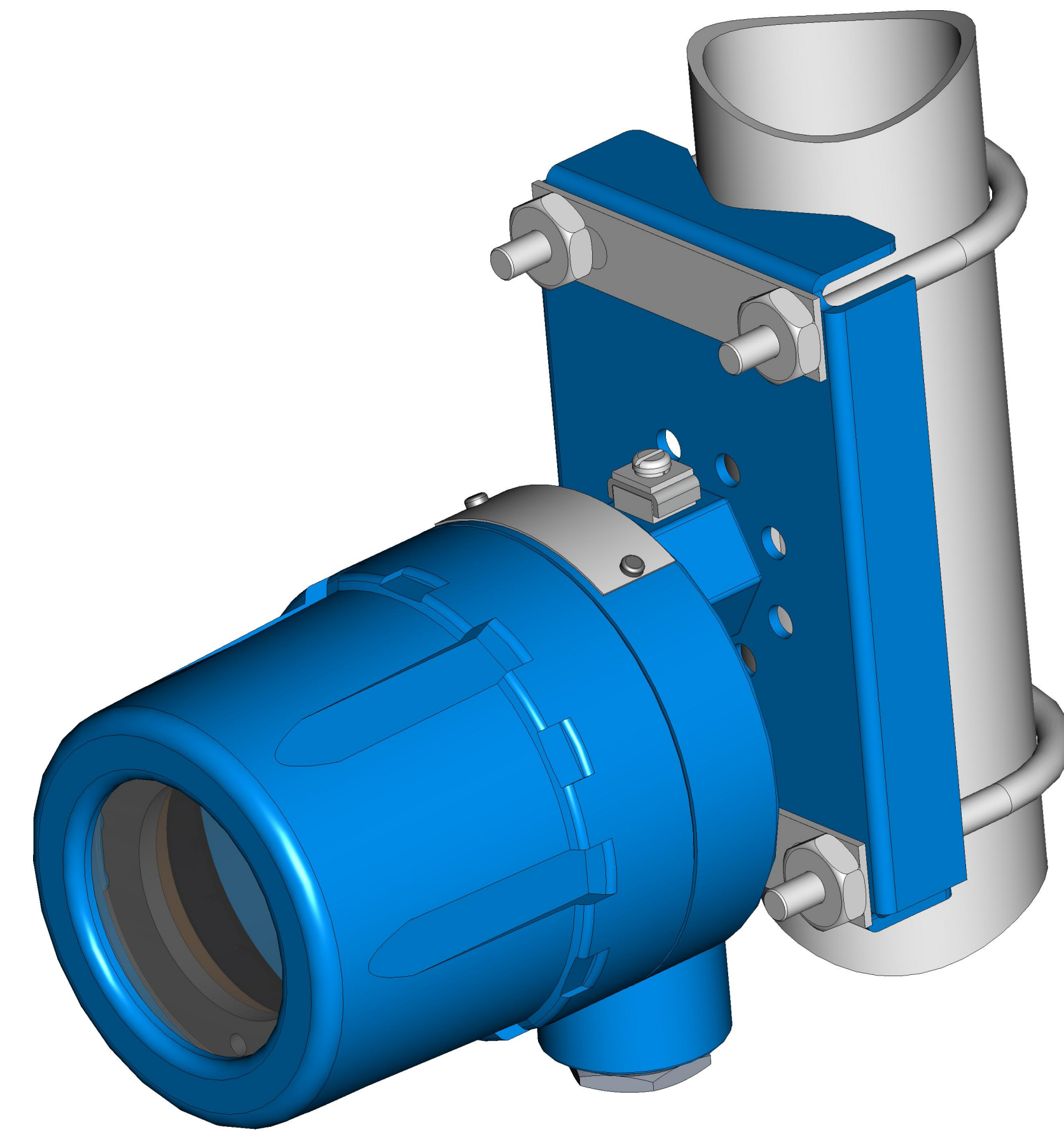
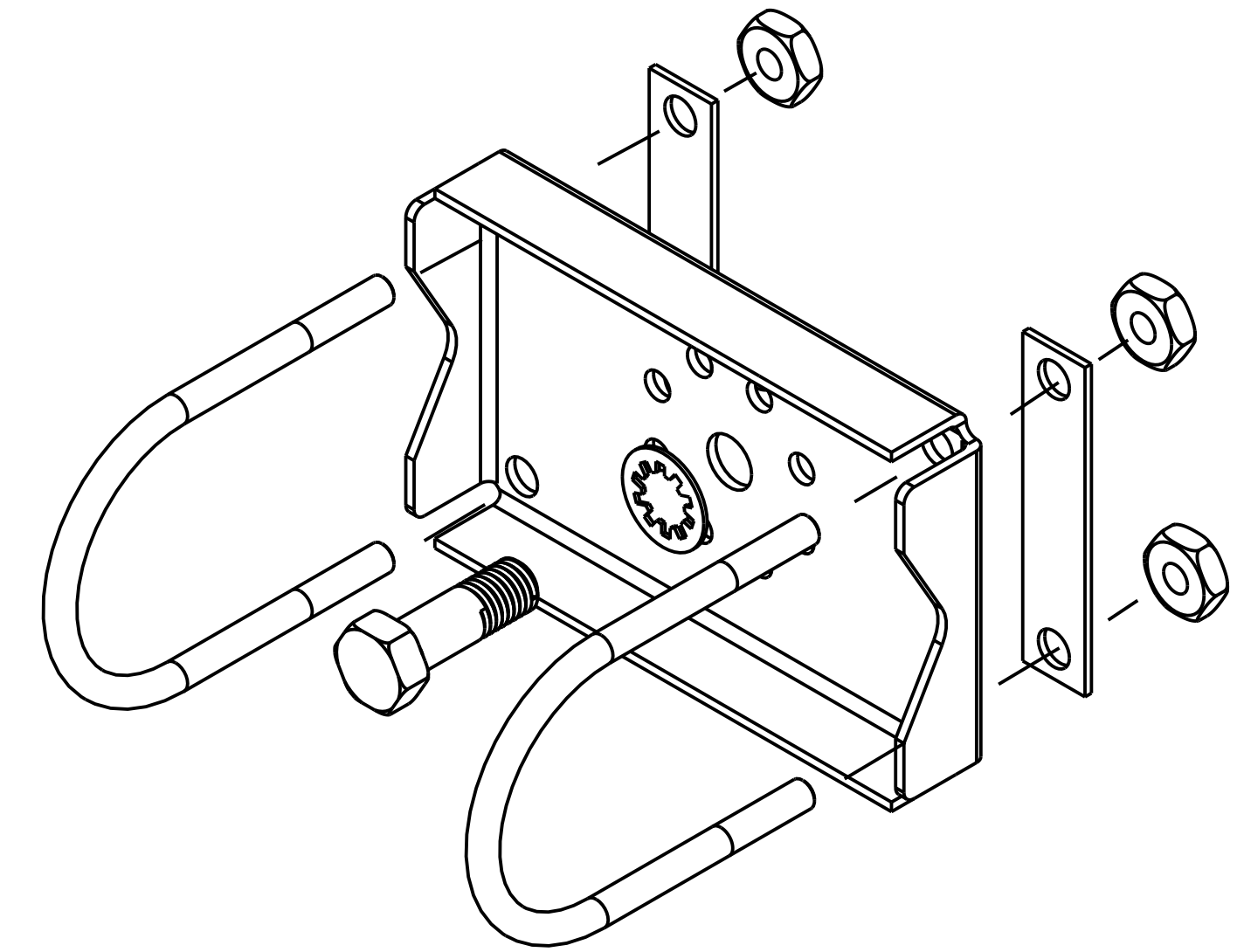
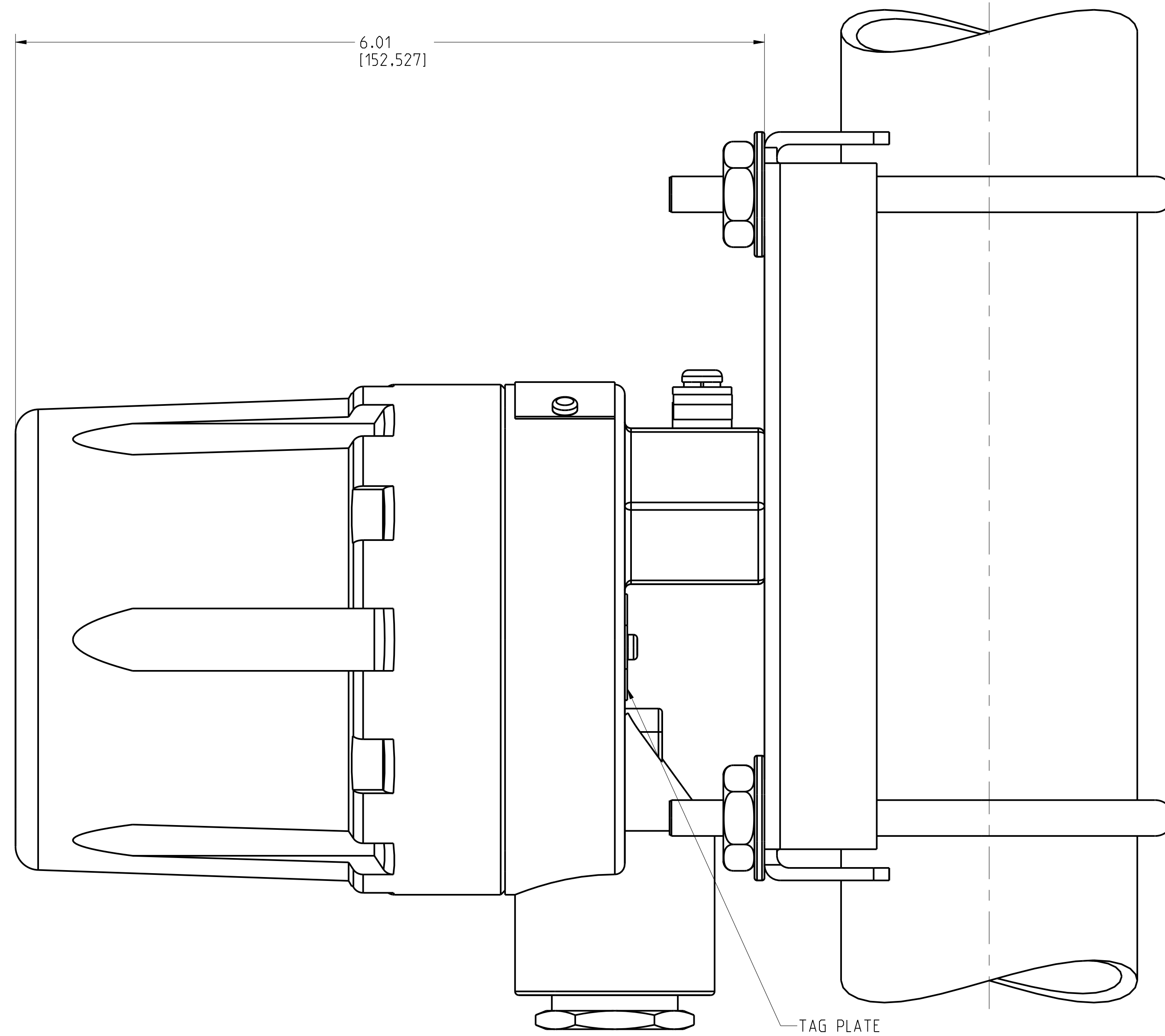
TITLE
**FIELD SIGNAL INDICATOR
 TYPE I DRAWING**

DR.	JLA	2/1/18	DRAWING NO.	00751-0014
APP'D	Z. MASSA	2/5/18		

CAD MAINTAINED (PRO/EI) SHEET 1 OF 2

ROSEMOUNT 751 REMOTE SIGNAL INDICATOR
MOUNTING CONFIGURATION WITH OPTIONAL MOUNTING BRACKET

PIPE MOUNTING



62015 ROSEMOUNT, INC. ROSEMOUNT, INC. CLAIMS THIS DRAWING IS VALID IN ACCORDANCE WITH ROSEMOUNT ENGINEERING SPECIFICATIONS. UNIT NOTES IN INCHES (mm). REFERENCE ROSEMOUNT PRODUCT SPECIFICATIONS. CLICK HERE	3RD ANGLE	SIZE D	SCALE NTS
	EMERSON		
	TITLE FIELD SIGNAL INDICATOR TYPE I DRAWING		
	DR. JLA 2/1/18	DRAWING NO. 00751-0014	
APP'D JR 2/5/18	SHEET 2 OF 2		
CAD MAINTAINED (PRO/E)			