

# Ingress Protection (IP) Filter Assembly

IPF-001



## Introduction

The IP Filter is a hydrophobic filter specially designed by Net Safety to protect the Millennium II series sensors from splashing and spraying water. It also protects the sensors from dust and other debris that may inhibit the performance of the sensor.

### NOTICE

The IPF-001 is not performance verified.

For reliable gas detection and calibration it is recommended that the IP Filter and sensor housing mouth, be checked for oil films, dirt deposits, and other debris during routine maintenance. Apply gas to the sensor and observe its response. This test should be done regularly and will give an indication of whether or not the filter is clear or blocked. If the filter is dirty, damaged, or degraded, it should be replaced. The life of the filter will be determined by the type of chemicals and particulates it's exposed to.

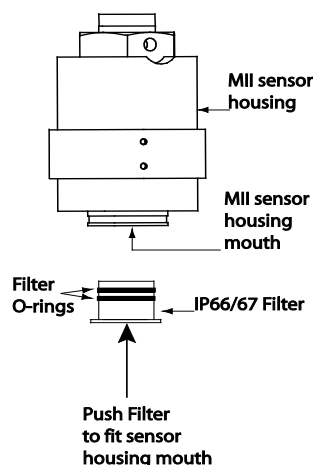
### ⚠ WARNING

Never use tools (hammers, etc.) to fit the IP Filter to the sensor housing.

## Fitting the IP Filter to Millennium II Sensor Housing

1. Examine Filter O-rings for cracks and breaks
2. Check that O-rings are fitted properly in grooves on filter enclosure.
3. Ensure that the filter is not degraded, damaged or dirty. If found to be dirty, replace the filter accordingly.
4. Position the filter in line with the sensor housing. See illustration.
5. Firmly push against filter with the thumb or palm of hand, until it fits in the housing mouth. See IP Filter mounted to sensor, on page 2.

Figure 1: Fitting IP filter to sensor housing





**⚠ WARNING**

Always remove the calibration cup after completing a calibration.

## Calibrating with the IP Filter Fitted to Millennium II Sensor Housing

1. When calibrating sensor, ensure that no debris (water, oil film, dirt) is clogging the filter.
2. Check that the filter is properly seated, and then fit calibration cup and tubing to filter and sensor housing assembly.
3. Commence calibration procedure, as outlined in sensor manuals.
4. When calibration is completed, remove calibration cup and tubing.

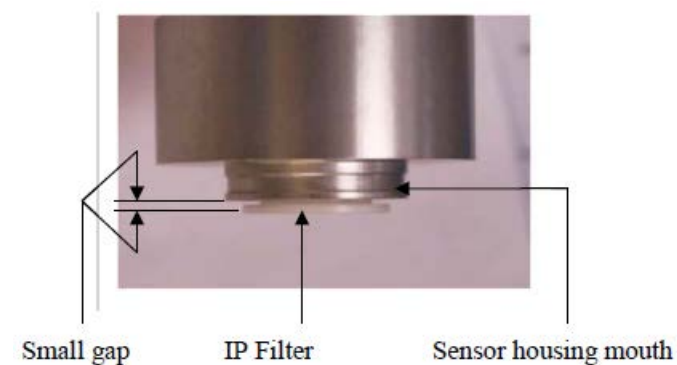
## IP Filter Specifications

Material: delrin

Weight: 7g

Operating temperature range: -40 °F to 185 °F (-40 °C to 85 °C)

Figure 2 IP filter mounted to sensor

**NOTICE**

When the filter is properly mounted to sensor housing there will be a small gap between the filter and the sensor housing mouth. This gap aids in the filter removal for inspection and cleaning.

Figure 3 IP filter dimensional and cross sectional drawing (in millimeters and inches)

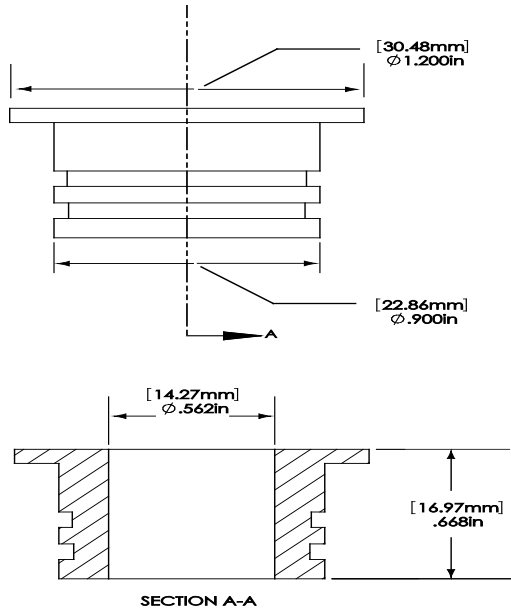
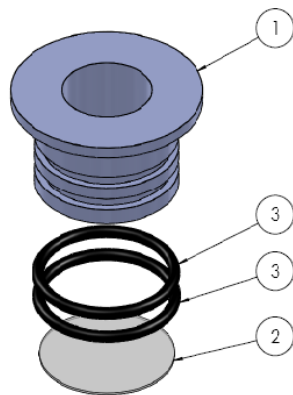


Figure 4 IP filter (IPF-001 exploded view)



Item no.	Description	Qty.
1	Filter plug	1
2	Hydrophobic filter	1
3	O-ring	2

Emerson Process Management  
 6021 Innovation Blvd.  
 Shakopee, MN 55379  
 T +1 866 347 3427  
 F + 952 949 7001  
 safety.csc@emerson.com