

OPTIONS

- Valves configured for external pilot air supply with ASCO solenoid interface, TPL 20547
- Explosionproof enclosures for use in zones 1/21-2/22, categories 2-3 to ATEX Directive 2014/34/EU (www.asco.com)
- Compliance with "UL", "CSA" and other local approvals available on request
- Coil insulation class H for max. ambient temperature +80°C, prefix "WPHT"
- 1/2" NPT (prefix "T") and M20 x 1.5 (prefix "ET") conduits (aluminium or 316 SS) available for steel solenoid enclosure
- Valves equipped with exhaust reducers G 1/8 (3/2 NC-5/2, series 551), suffix M
- Set of stainless steel mounting screws (series 551), catalogue number **97802212**
- Set of two G 1/8 exhaust reducers (series 551), catalogue number **88100344**
- Other pipe connections are available on request

INSTALLATION

- The solenoid valves can be mounted in any position without affecting operation
- 3/2 NC-5/2 spool valve supplied with one or two interface plates with NAMUR mating surfaces. Depending on function (3/2 NC or 5/2), position the plate (series 551) or one of the two plates (series 553) on the spool valve body before installing on actuator
- Do not connect the pressure supply to the exhaust port 3. The "environmentally-protected" construction is not adapted for NO function. Contact us for function available in specific version
- Dowel pin (if necessary), bolts and gaskets are standard supplied
- It is necessary to connect pipes or fittings to the exhaust ports to protect the internal parts of the spool valve and its pneumatic operator if used outside or in harsh environments (dusts, liquids etc.)
- IEC 61508 Functional Safety (suffix SL). Check temperature range of valve body and solenoid for suitability. For probability of failure, contact us
- Threaded pipe connection is standard: G = G (ISO 228/1)
- Solenoid enclosure has a cable gland with integral strain relief for cables with an O.D. from 7 to 12 mm and is provided with internal and external grounding terminals
- Valves with suffix "SL" are supplied with specific exhaust protectors
- Installation/maintenance instructions are included with each valve

ACCESSORIES

series	pipe size	exhaust protector (stainless steel)
551-553	G 1/8	34600418 ⁽¹⁾
551 (W1/W3)	G 1/4	34600419 ⁽¹⁾
553	G 1/2	34600479 ⁽¹⁾

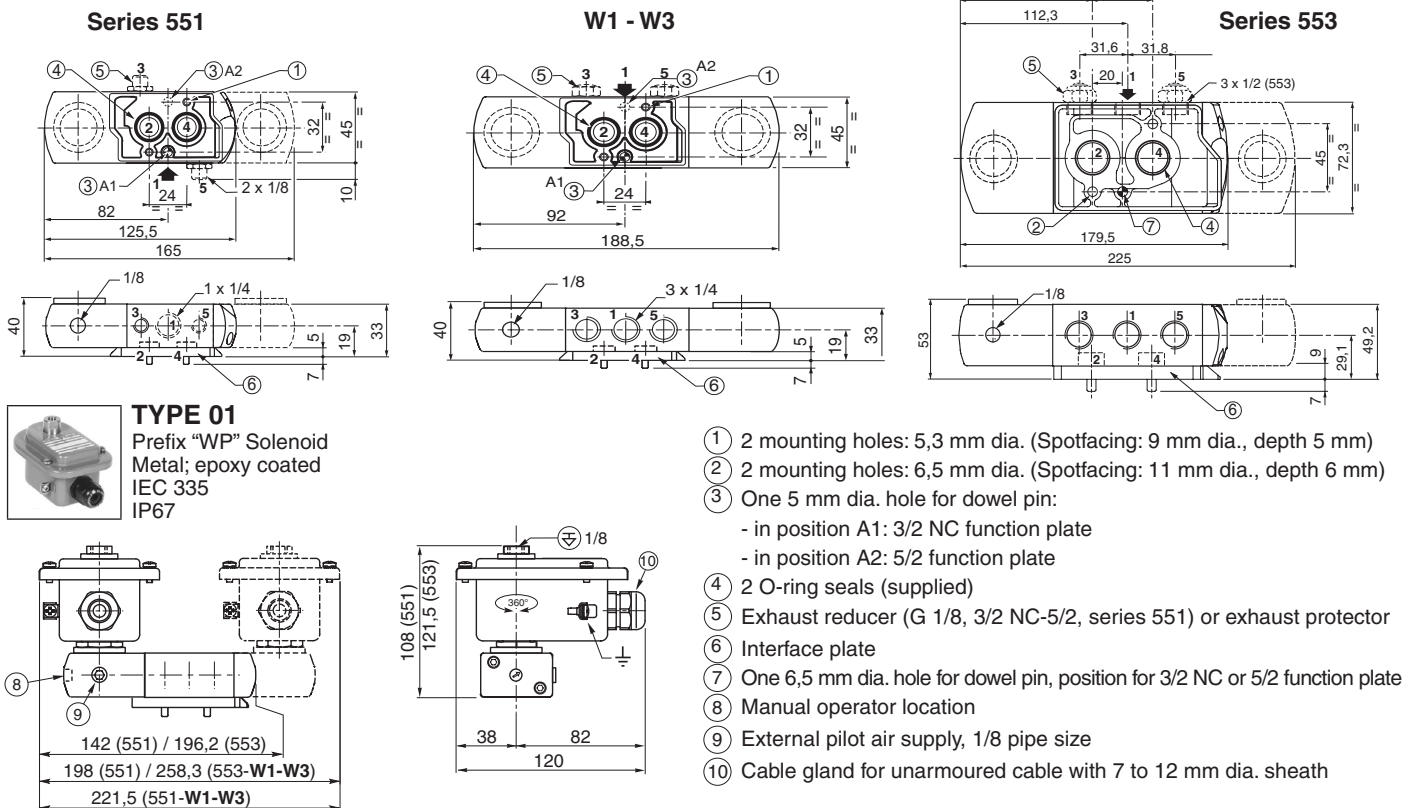
⁽¹⁾ Supplied with suffix "SL"

ORDERING EXAMPLES:

WP	G	551	B	401	230V / 50 Hz
WP	G	551	B	401	SL 230V / 50 Hz
WP	G	553	A	402	MO 24V / DC
WPHT	G	551	B	402	MO 230V / 50 Hz
WP	G	553	A	402	MO 115V / 50 Hz

prefix: WP, pipe thread: G, basic number: 551, voltage: 230V / 50 Hz, suffix: B, 401, SL, MO

DIMENSIONS (mm), WEIGHT (kg)



type	prefix option	monostable		weight ⁽²⁾ bistable		W1 - W3	
		551	553	551	553	551	553
04	WP	0,79	1,57	1,33	2,14	1,43	2,14

⁽²⁾ Including coil and cable gland.

All leaflets are available on: www.asco.com

18 - Direct or Pilot Operated Solenoid Valves (3/2-5/2-5/3)