

3-Way On/Off and Shut-off Valves

DVTXX2016X012

Specifications*For other materials or modifications, please consult TESCOM.***OPERATING PARAMETERS***Pressure rating per criteria of ANSI/ASME B31.3***Operating Pressure****3500 psig / 241 bar****Body:** Brass, 316 Stainless Steel**Seat:** Tefzel® ETFE, CTFE**6000 psig / 414 bar****Body:** Brass**Seat:** Vespel®, PEEK**10,000 psig / 690 bar****Body:** 316 Stainless Steel**Seat:** Vespel®, PEEK**Design Proof Pressure**

150% maximum rated

Leakage**Internal:** Bubble-tight**External:** Bubble-tight**Operating Temperature**

See Part Number Selector

Flow Capacity $C_v = 0.75$ **Actuation Pressure****Minimum:** 80 psig / 5.5 bar**Maximum:** 110 psig / 7.6 bar

TESCOM VT Series 3-way air-operated valve provides high cycle life in a compact design.

Applications

- Component pressure cycle testing
- Two source selector valve
- Fill and dump applications (e.g. airbag canister filling, gas spring filling)
- Emergency shutoff
- Pneumatic and hydraulic applications

Features and Benefits

- 1/4" and 3/8" ports
- $C_v = 0.75$
- Balanced main valve
- Solenoid valve is optional
- 2 position, 3-way
- Leak tight integrity - Class VI shutoff (bubble-tight)

MEDIA CONTACT MATERIALS**Body**

Brass, 316 Stainless Steel

Metallic Trim316 Stainless Steel, 17-4 PH Stainless Steel,
Brass (Brass bodies only)**Seat**

ETFE (Tefzel®), CTFE, PEEK, Polyimide (Vespel®)

O-RingNitrile, Buna-N, FFKM, Perfluoroelastomer (Kalrez®), FKM
(Viton®-A), Ethylene Propylene, Urethane**Back-up Rings**

PTFE for PCTFE and ETFE (Tefzel®) seats

PCTFE for PEEK and Polyimide (Vespel®) seats

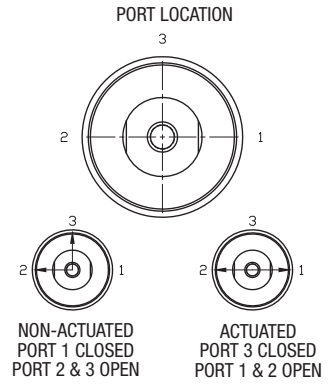
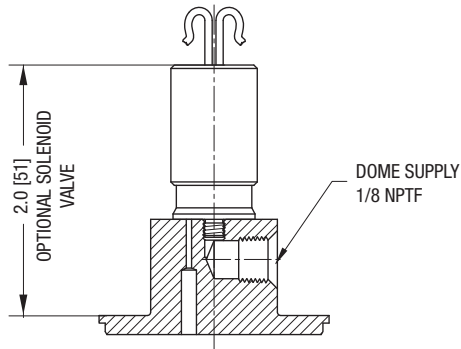
OTHER**Weight**

5 lbs / 2.3 kg

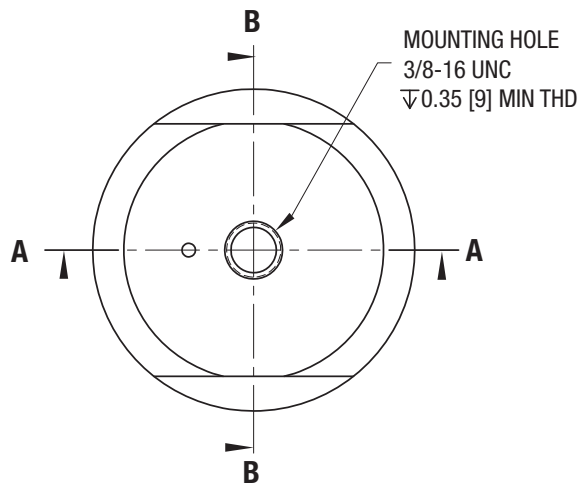
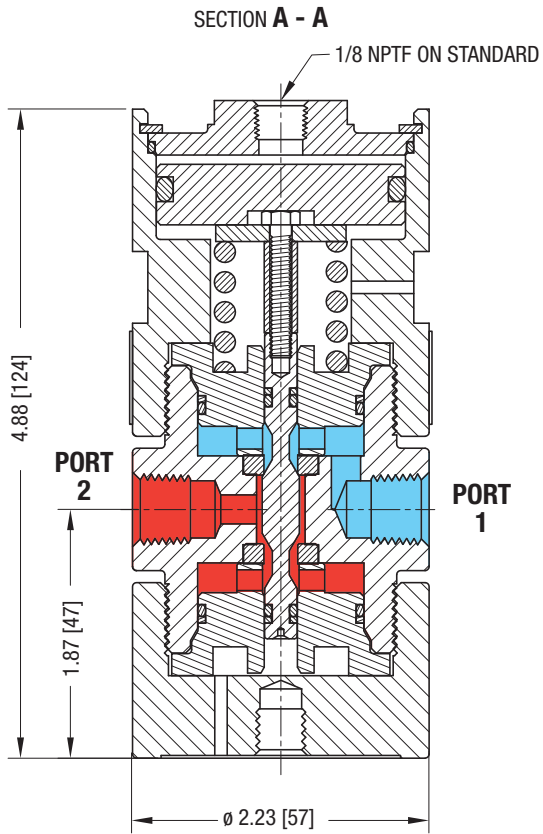
Teflon®, Kalrez®, Tefzel®, Vespel® and Viton® are registered trademarks of E.I. du Pont de Nemours and Company.

VT SERIES

VT Series 3-Way Valve Drawing



**NON-ACTUATED
PORT 1 CLOSED, PORT 2 & 3 OPEN**



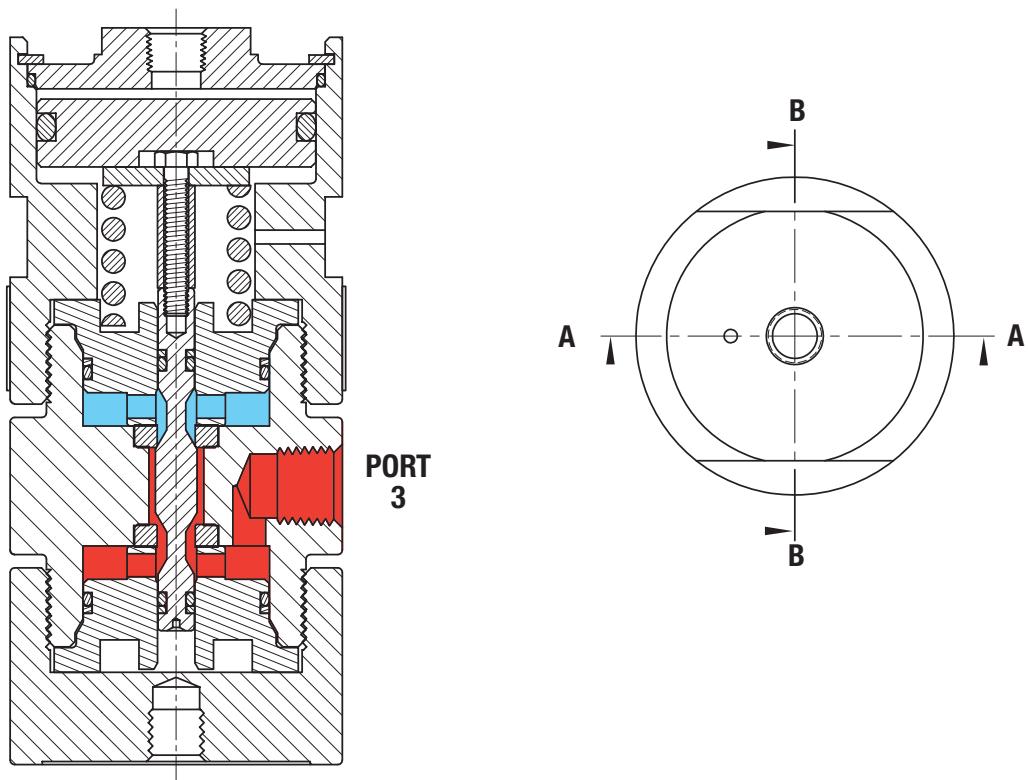
All dimensions are reference & nominal
Metric [millimeter] equivalents are in brackets

VT Series 3-Way Valve Drawing



NON-ACTUATED
PORT 1 CLOSED, PORT 2 & 3 OPEN

SECTION B - B



All dimensions are reference & nominal
Metric [millimeter] equivalents are in brackets

VT SERIES

VT Series 3-Way Valve Part Number Selector

Repair Kits, Accessories & Modifications may be available for this product. Please contact TESCOM for more information.

Example for selecting a part number:

VT	6	AB				9	A	A	A
BASIC SERIES	BODY MATERIAL	SEAT MATERIAL	O-RING MATERIAL	MAXIMUM OPERATING PRESSURE	OPERATING TEMPERATURE*	OPTIONS	1 PORT LOCATION SIZE AND TYPE	2 PORT LOCATION SIZE AND TYPE	3 PORT LOCATION SIZE AND TYPE
VT	1 – Brass 6 – 316 Stainless Steel	AB – ETFE (Tefzel®)	Nitrile, Buna-N	Brass body 3500 psig 241 bar	-40°F to 165°F -40°C to 74°C	9 – None C – CCL V – Solenoid valve 24 Volt DC W – Solenoid valve 12 Volt DC	A – 1/4" NPTF C – 3/8" NPTF E – 1/4" SAE J – 3/8" SAE	A – 1/4" NPTF C – 3/8" NPTF E – 1/4" SAE J – 3/8" SAE	A – 1/4" NPTF C – 3/8" NPTF E – 1/4" SAE J – 3/8" SAE
		AK – ETFE (Tefzel®)	Kalrez®**		20°F to 250°F -7°C to 121°C				
		AV – ETFE (Tefzel®)	FKM (Viton®-A)	316 Stainless Steel body 3500 psig 241 bar	-15°F to 250°F -26°C to 121°C				
		AE – ETFE (Tefzel®)	Ethylene Propylene		-40°F to 250°F -40°C to 121°C				
		AU – ETFE (Tefzel®)	Urethane		-40°F to 165°F -40°C to 74°C				
		CB – PCTFE	Nitrile, Buna-N	Brass body 3500 psig 241 bar	-40°F to 165°F -40°C to 74°C				
		CK – PCTFE	Kalrez®**		20°F to 165°F -7°C to 74°C				
		CV – PCTFE	FKM (Viton®-A)	316 Stainless Steel body 3500 psig 241 bar	-15°F to 165°F -26°C to 74°C				
		CE – PCTFE	Ethylene Propylene		-40°F to 165°F -40°C to 74°C				
		CU – PCTFE	Urethane		-40°F to 165°F -40°C to 74°C				
		PB – PEEK	Nitrile, Buna-N	Brass body 6000 psig 414 bar	-40°F to 165°F -40°C to 74°C				
		PK – PEEK	Kalrez®**		20°F to 250°F -7°C to 121°C				
		PV – PEEK	FKM (Viton®-A)	316 Stainless Steel body 10,000 psig 690 bar	-15°F to 250°F -26°C to 121°C				
		PE – PEEK	Ethylene Propylene		-40°F to 250°F -40°C to 121°C				
		PU – PEEK	Urethane		-40°F to 165°F -40°C to 74°C				
		VB – Polyimide (Vespel®)	Nitrile, Buna-N	Brass body 6000 psig 414 bar	-40°F to 165°F -40°C to 74°C				
		VK – Polyimide (Vespel®)	Kalrez®**		20°F to 250°F -7°C to 121°C				
		VV – Polyimide (Vespel®)	FKM (Viton®-A)	316 Stainless Steel body 10,000 psig 690 bar	-15°F to 250°F -26°C to 121°C				
		VE – Polyimide (Vespel®)	Ethylene Propylene		-40°F to 250°F -40°C to 121°C				
		VU – Polyimide (Vespel®)	Urethane		-40°F to 165°F -40°C to 74°C				

* Brass body is limited to +200 °F (93 °C) maximum.

**FKM, Perfluoroelastomer (Kalrez®)