

Flow Check Adaptor

A rotatable connecting adaptor used with static pressure measuring instruments which, in the event of the instrument rupturing, closes automatically as a result of the process medium flow

General Application

The FCA is designed for flow prevention, pressure snubbing, as a gauge siphon for steam service and for hazardous service including toxic, flammable and high pressure duties, providing extra protection for personnel and the environment.

TECHNICAL DATA

Materials:

316 SS, Monel®

Seats:

Metal

Connections:

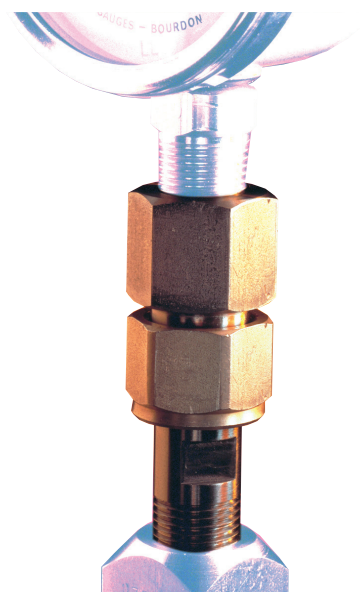
1/2" NPT

Pressure (max):

1,000 psig (690 barg)

Temperature (max):

1000°F (538°C)



Features

- Seals off the flow when activated by escaping gas or liquid.
- Automatically resets when flow conditions cease or the instrument is replaced.
- Integral restricted orifice acts as a pulsation damper reducing damage to sensitive instruments.
- Rotatable adapter option allows 360° positioning of gauges and instruments.
- Integral siphon for steam service provides a protective condensate barrier to prevent live steam from damaging instruments.
- Robust and compact design allows rigid installation of gauges and instruments.

FCA SERIES

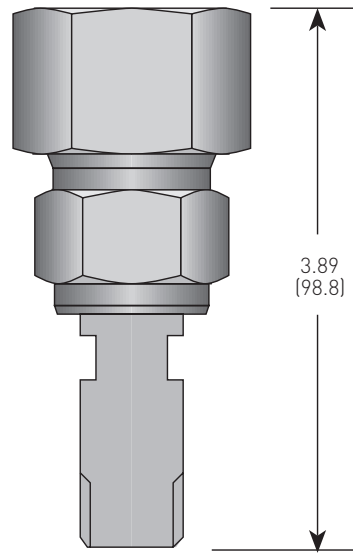
Flow Check Adaptor

Product Description

The FCA is available in 316 SS with the option of Monel®. Connections are available ½-inch NPT male x female as standard. Suitable for pressures up to 10000 psig (690 barg) and temperatures 1000°F (538°C), the FCA is available with trim to meet the requirements of NACE.

Installation^[1]

Pressure gauges or instruments may be installed directly onto the flow check adaptor which in turn can be connected to the gauge/isolation valve. Alternatively, the adaptor can be installed directly onto the primary/root isolation valve providing complete protection for the impulse line and subsidiary instruments and gauges.



Dimension, inches (mm)

Standard Materials

Adapter	Body
316 SS	A479 316
Monel®	Monel® 400

Pressure and Temperature

Pressure and Temperature Ratings

Standard - metal seat (maximum)	Soft seat option (maximum)
10000 psig 1000°F (690 barg)(538°C)	464°F (240°C)

Selection Guide

FCA	S	-4	x4	-SG	
BASIC SERIES	MATERIALS OF CONSTRUCTION		GAUGE CONNECTION	PROCESS CONNECTION	OPTIONS
FCA	S	316 SS	4 ½-inch FNPT	4 ½-inch MNPT	OC00 Oxygen cleaning
	M	Monel®			SG (Sour Gas) meets the requirements of NACE MR0175/ISO 15156 (for chloride conditions ≤ 50 mg/l [ppm]) and NACE MR0103-2005

NOTES

1. The FCA should be used in the vertical position, placing the gauge connection above the process connection.
2. Minimal leakage will occur to equalize the pressure to enable resetting the FCA when instrument has been replaced.
3. Approximate adapter weight: 0.66 lb (0.3 kg).