



LUNKENHEIMER FIGURE 607 SLURRY CHECK VALVE

DN 50 - 600 (NPS 2 - 24) ASME CLASS 150, 300 AND 600

The F607 is a check valve specifically designed for severe service in alumina and mining applications where scale and erosion are present



FEATURES

- Valves can be reground in-line.
- Designed to ASME B16.34
- Heavy duty wall and flange thickness well in excess of ASME B16.34 and ASME B16.5
- Tested to API 598.
- Large stem diameters for strength and stiffness.
- Stellite 6 hardfacing as standard on disc and seat surfaces.
- Hard facing available on stem.
- Roller or plain bearings fitted to yoke bush - depending upon size.
- Manufactured under quality system ISO 9001:2008, Certificate No. MEL 0929678/A
- Documentation to EN 10424 1999 Type 3.1B (DIN 50409). Material certification for pressure containing components.
- Used to prevent the backflow of fluids and slurry media.
- Provides protection of pumps and other equipment to reverse flow conditions.

Options

- Range of internal linings available to combat the effects of erosion or corrosion.
- High performance erosion resistant discs and seats.
- Custom face to face dimensions.
- Custom designs for specific applications.

GENERAL APPLICATION

Designed and engineered specifically for the mining and mineral processing industries.

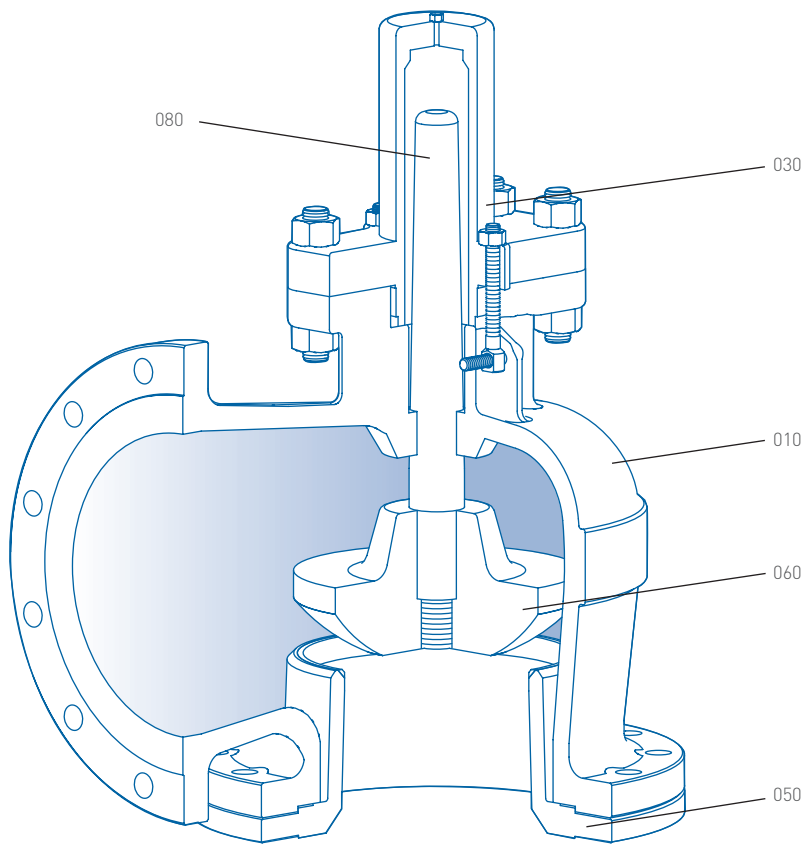
TECHNICAL DATA

Size range: DN 50 - 600 (NPS 2 - 24)
Temperature rating: Up to 345°C (650°F)
Pressure rating: ASME Class 150 to 600



LUNKENHEIMER FIGURE 607 SLURRY CHECK VALVE

DN 50 - 600 (NPS 2 - 24) ASME CLASS 150



PARTS LIST

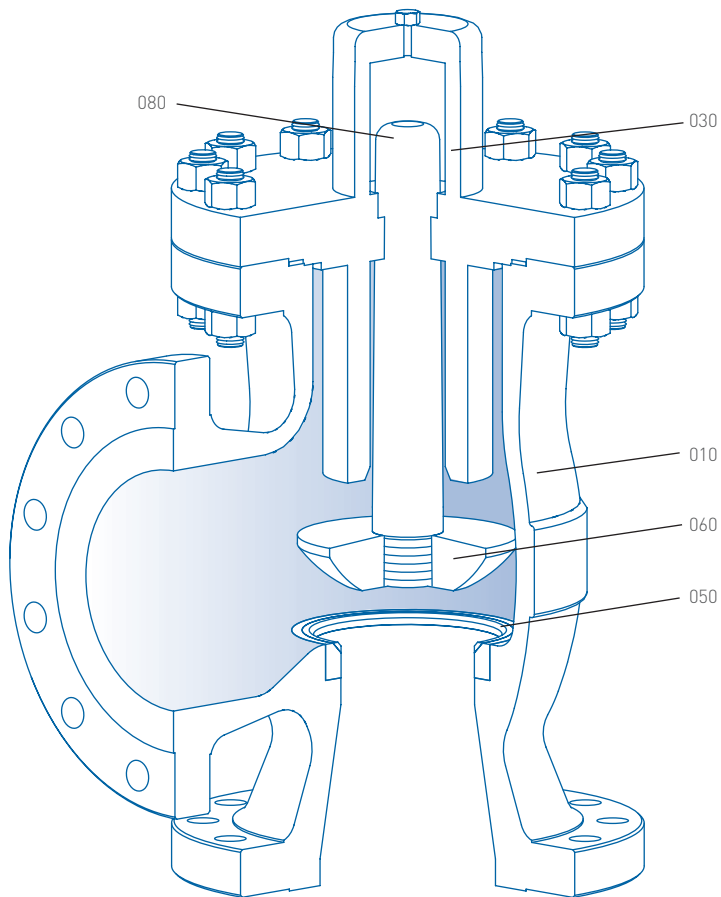
No.	Description	Material standards
010	Body	ASTM A216 - WCB
030	Cap	ASTM A216 - WCB
050	Seat	ASTM A29 - 1020,1518 or ASTM A105 - Stellite coated
060	Disc	ASTM A29 - 1020,1518 or ASTM A105 - Stellite coated
080	Stem	ASTM A29 - 4140

NOTE

No bolts, washers, gaskets or pins included in parts list.

LUNKENHEIMER FIGURE 607 SLURRY CHECK VALVE

DN 50 - 600 (NPS 2 - 24) ASME CLASS 300 AND 600



PARTS LIST

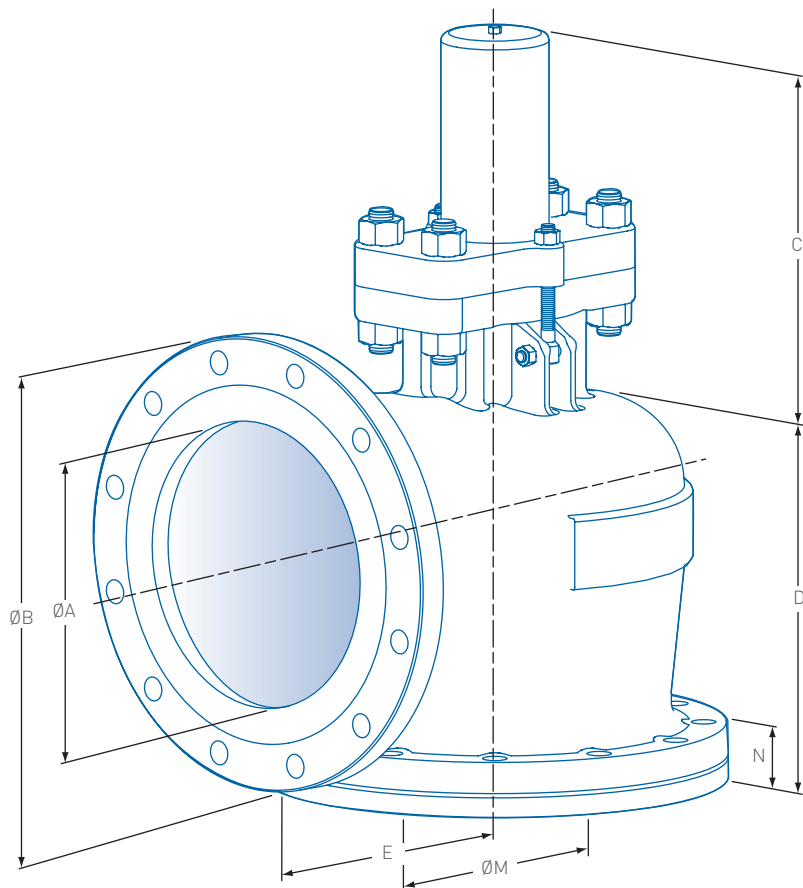
No.	Description	Material standards
010	Body	ASTM A216 - WCB
030	Cap	ASTM A216 - WCB
050	Seat	ASTM A29 - 1020,1518 or ASTM A105 - Stellite coated
060	Disc	ASTM A29 - 1020,1518 or ASTM A105 - Stellite coated
080	Stem	ASTM A29 - 4140

NOTE

No bolts, washers, gaskets or pins included in parts list.

LUNKENHEIMER FIGURE 607 SLURRY CHECK VALVE

DN 50 - 600 (NPS 2 - 24) ASME CLASS 150



DIMENSIONS mm (inches)

Valve size							
DN (NPS)	ØA bore	ØB	C	D	E	ØM	N min
50 (2)	51 (2.00)	152 (6.00)	154 (6.06)	63 (2.48)	114 (4.49)	44 (1.73)	35.0 (1.38)
80 (3)	76 (3.00)	191 (7.50)	162 (6.38)	82 (3.23)	140 (5.51)	51 (2.01)	42.9 (1.69)
100 (4)	102 (4.00)	229 (9.00)	183 (7.20)	125 (4.92)	165 (6.50)	64 (2.52)	46.5 (1.83)
150 (6)	152 (6.00)	279 (11.00)	311 (12.24)	159 (6.26)	203 (7.99)	102 (4.02)	49.5 (1.95)
200 (8)	203 (8.00)	343 (13.50)	378 (14.88)	197 (7.76)	248 (9.76)	152 (5.98)	53.5 (2.11)
250 (10)	254 (10.00)	406 (16.00)	423 (16.65)	241 (9.49)	292 (11.50)	203 (7.99)	57.5 (2.26)
300 (12)	305 (12.00)	483 (19.00)	541 (21.30)	276 (10.87)	349 (13.74)	254 (10.00)	59.5 (2.34)
350 (14)	337 (13.25)	533 (21.00)	604 (23.78)	305 (12.01)	368 (14.49)	286 (11.26)	65.5 (2.58)
400 (16)	387 (15.25)	597 (23.50)	689 (27.13)	340 (13.39)	381 (15.00)	330 (12.99)	72.5 (2.85)
450 (18)	438 (17.25)	635 (25.00)	720 (28.35)	356 (14.02)	406 (15.98)	368 (14.49)	78.8 (3.10)
500 (20)	489 (19.25)	699 (27.50)	816 (32.13)	394 (15.51)	457 (17.99)	419 (16.50)	84.5 (3.33)
600 (24)	591 (23.25)	813 (32.00)	905 (35.63)	451 (17.76)	508 (20.00)	508 (20.00)	95.0 (3.74)

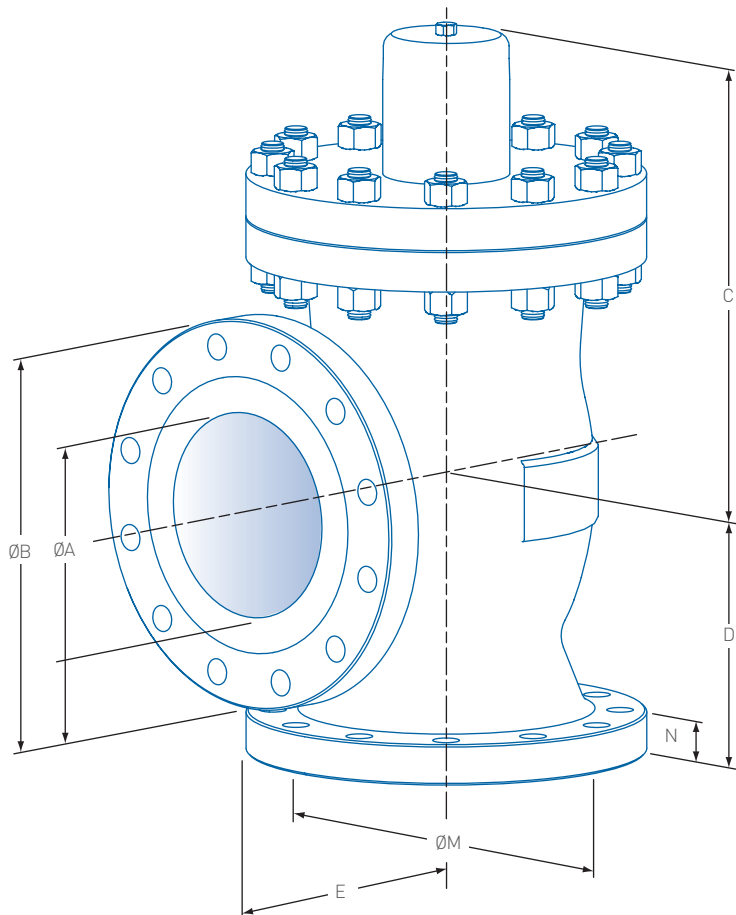
NOTES

Dimension E is from the valve center to the flange raised face.

* ØM is the bore at the internal seat.

LUNKENHEIMER FIGURE 607 SLURRY CHECK VALVE

DN 50 - 600 (NPS 2 - 24) ASME CLASS 300



DIMENSIONS mm (inches)

Valve size							
DN (NPS)	ØA bore	ØB	C	D	E	ØM	N min
50 (2)	51 (2.00)	165 (6.50)	235 (9.25)	127 (5.00)	165 (6.50)	51 (2.01)	24 (0.94)
80 (3)	76 (3.00)	210 (8.25)	235 (9.25)	152 (5.98)	165 (6.50)	51 (2.01)	31 (1.22)
100 (4)	102 (4.00)	254 (10.00)	311 (12.24)	178 (7.01)	178 (7.01)	76 (2.99)	34 (1.34)
150 (6)	152 (6.00)	318 (12.50)	441 (17.36)	216 (8.50)	216 (8.50)	127 (5.00)	39 (1.54)
200 (8)	200 (7.85)	381 (15.00)	494 (19.45)	267 (10.51)	267 (10.51)	152 (5.98)	42 (1.65)
250 (10)	252 (9.90)	445 (17.50)	572 (22.52)	305 (12.01)	305 (12.01)	203 (7.99)	48 (1.89)
300 (12)	302 (11.90)	521 (20.50)	623 (24.53)	343 (13.50)	343 (13.50)	254 (10.00)	52 (2.05)
350 (14)	337 (13.25)	584 (23.00)	703 (27.68)	381 (15.00)	381 (15.00)	305 (12.01)	52 (2.05)
400 (16)	388 (15.25)	648 (25.50)	835 (32.87)	419 (16.50)	432 (17.01)	362 (14.25)	56 (2.20)
450 (18)	419 (16.50)	711 (28.00)	903 (35.55)	457 (17.99)	457 (17.99)	400 (15.75)	59 (2.32)
500 (20)	483 (19.00)	775 (30.50)	1064 (41.89)	495 (19.49)	495 (19.49)	464 (18.27)	66 (2.60)
600 (24)	585 (23.00)	915 (36.00)	1064 (41.89)	635 (25.00)	635 (25.00)	550 (21.65)	73 (2.87)

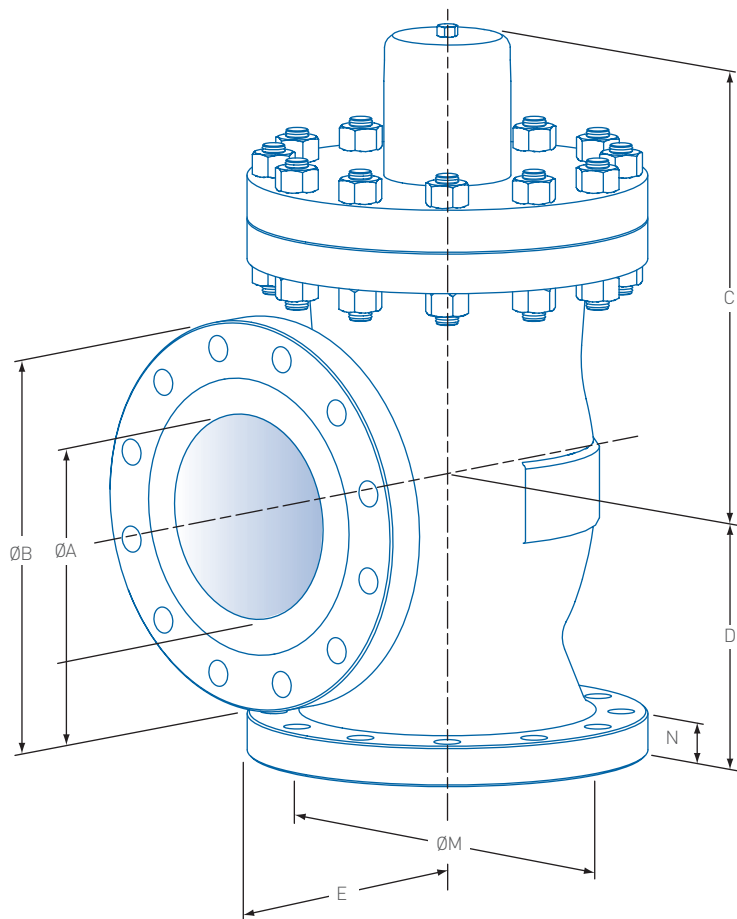
NOTES

Dimension E is from the valve center to the flange raised face.

* ØM is the bore at the internal seat.

LUNKENHEIMER FIGURE 607 SLURRY CHECK VALVE

DN 50 - 600 (NPS 2 - 24) ASME CLASS 600



DIMENSIONS mm (inches)

Valve size							
DN (NPS)	ØA bore	ØB	C	D	E	ØM	N min
50 (2)	51 (2.00)	165 (6.50)	240 (9.45)	133 (5.24)	133 (5.24)	51 (2.01)	34 (1.34)
80 (3)	76 (3.00)	210 (8.25)	297 (11.69)	184 (7.24)	184 (7.24)	54 (2.13)	34 (1.34)
100 (4)	102 (4.00)	273 (10.75)	311 (12.24)	216 (8.50)	216 (8.50)	76 (2.99)	46 (1.81)
150 (6)	152 (6.00)	356 (14.00)	389 (15.31)	251 (9.88)	264 (10.39)	127 (5.00)	56 (2.20)
200 (8)	200 (7.85)	419 (16.50)	438 (17.24)	330 (12.99)	324 (12.76)	152 (5.98)	65 (2.56)
250 (10)	248 (9.75)	508 (20.00)	514 (20.24)	394 (15.51)	394 (15.51)	203 (7.99)	68 (2.68)
300 (12)	302 (11.90)	559 (22.00)	594 (23.39)	419 (16.50)	425 (16.73)	254 (10.00)	71 (2.80)
350 (14)	327 (12.85)	603 (23.75)	702 (27.64)	445 (17.52)	445 (17.52)	305 (12.01)	74 (2.91)
400 (16)	375 (14.75)	686 (27.00)	839 (33.03)	502 (19.76)	527 (20.75)	362 (14.25)	81 (3.19)
450 (18)	419 (16.50)	743 (29.25)	924 (36.38)	546 (21.50)	546 (21.50)	400 (15.75)	83 (3.27)
500 (20)	467 (18.40)	813 (32.00)	950 (37.40)	597 (23.50)	597 (23.50)	464 (18.27)	90 (3.54)
600 (24)	550 (21.65)	940 (37.00)	1050 (41.34)	685 (26.97)	685 (26.97)	550 (21.65)	106 (4.17)

NOTES

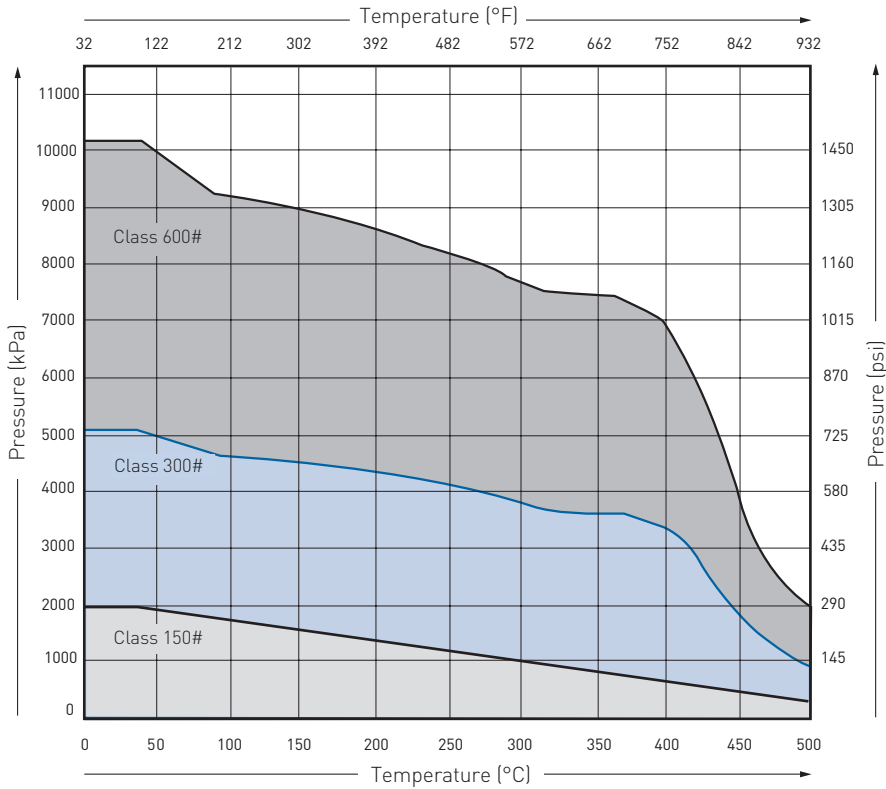
Dimension E is from the valve center to the flange raised face.

* ØM is the bore at the internal seat.

LUNKENHEIMER FIGURE 607 SLURRY CHECK VALVE

DN 50 - 600 (NPS 2 - 24) ASME CLASS 150, 300 AND 600

PRESSURE/TEMPERATURE GRAPH



PRESSURE/TEMPERATURE RATINGS

NOTE

- The pressure temperature ratings displayed are for carbon steel ASTM A 216 Gr WCB according to ASME B16.5 Table 2.

TYPICAL SPECIFYING SEQUENCE - CLASS 150, 300 AND 600

100 (4)	F607	3	3	C	2	2	2	3	/	00
Valve size	Figure no.	Flange rating	Flange rating	Body material	Seat trim	Disc trim	Stem trim	Certification code	Valve variant	Standard option

Size range: DN 50 - 600 (NPS 2 - 24)

Figure no: F607 - Check valve ASME Class 150, 300 and 600

Trim code	Flange rating	Flange rating	Body material	Seat trim	Disc trim	Stem trim
11C223	Class 150	Class 150	A 216 Gr WCB	Steel - stellite	Steel - stellite	Grade ASTM A29 - 4140
11C253	Class 150	Class 150	A 216 Gr WCB	Steel - stellite	Steel	Grade ASTM A29 - 4140
33C223	Class 300	Class 300	A 216 Gr WCB	Steel - stellite	Steel - stellite	Grade ASTM A29 - 4140
66C243	Class 600	Class 600	A 216 Gr WCB	Steel - stellite	Steel - stellite	Grade ASTM A29 - 4140

